

# #05 CABLE ENDS

## CABLE END CLOSURES WITH SNAP HOOKS



No	L	∅		kg	€/100pcs
<b>63.06</b>	90	6	100	1,0	41,08
<b>63.08</b>	110	8	100	1,8	51,20
<b>63.10</b>	112	10	100	2,7	55,40

## CABLE END CLOSURES



<b>63.06.10</b>	58	6	100	0,7	32,80
<b>63.08.10</b>	70	8	100	1,2	42,10
<b>63.10.10</b>	70	10	100	1,3	42,30

## SNAP HOOKS



<b>66.06</b>	40		100	0,3	8,90
<b>66.08/10</b>	50		100	0,6	12,20

## TIR CABLE ENDS



No	L	∅		kg	€/100pcs
<b>23.06</b>	58	6	100	0,8	27,90
<b>23.08</b>	70	8	100	1,2	33,80

## TIR CABLE END FRAMES



<b>23.06.00</b>	58	6	100	0,6	6,40
<b>23.08.00</b>	70	8	100	0,9	8,70

## OVAL BRASS RIVETS



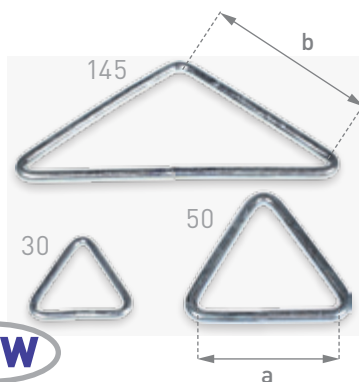
<b>23.06.10</b>	11		100	0,1	29,10
<b>23.08.10</b>	13		100	0,1	32,00

## ALLUMINIUM NAIL



<b>23.06.20</b>	23		100	0,1	1,70
-----------------	----	--	-----	-----	------

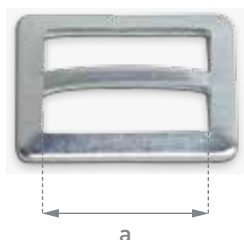
## GALVANIZED TRIANGLES



**NEW**

No	∅	a	b	L		kg	€/pcs
<b>30</b>	4	34	34	30	100	1,2	0,70
<b>50</b>	6	55	55	50	100	4,2	1,00
<b>145</b>	6	130	84	145	100	7,1	1,40

## GALVANIZED WIRE CLAMP



No	a		kg	€/100pcs
<b>50.22</b>	22	1000	4,2	8,70

## TIR CABLES



No	∅	L (m)			€/pcs
<b>37.06.250</b>	6	250	1	12,7	71,70
<b>37.06.500</b>	6	500	1	25,0	143,50
<b>37.08.250</b>	8	250	1	18,7	107,20
<b>37.08.500</b>	8	500	1	37,0	214,40

## TIR CABLES WITH FIXED CABLE ENDS



**NEW**

No	∅	L (m)			€/pcs
<b>37.06.21Z</b>	6	21	1	1,1	7,70
<b>37.06.22Z</b>	6	22	1	1,2	7,90
<b>37.06.23Z</b>	6	23	1	1,3	8,20
<b>37.06.28Z</b>	6	28	1	1,5	9,20
<b>37.06.34Z</b>	6	34	1	1,8	10,60
<b>37.06.36Z</b>	6	36	1	1,9	11,20
<b>37.06.42Z</b>	6	42	1	2,1	12,70
<b>37.08.34Z</b>	8	34	1	2,8	14,70

## PVC CABLE WITH NYLON INSERT



No	∅	L (m)			€/pcs
<b>30.06.250</b>	6	250	1	7,6	74,80
<b>30.08.250</b>	8	250	1	13,8	107,20

## PVC CABLES



No	∅	L (m)			€/pcs
<b>31.08.100</b> translucent	8	100	1	6,3	37,30
<b>32.08.100</b> silver	8	100	1	6,3	36,90

## PVC CABLE



No	∅	L (m)			€/pcs
<b>31.9.8.250</b> black	9,8	250	1	23,8	106,10

# #06 CABLES, STRAPS, TAPES

## EXPANDOR (SOFT, POLYPROPYLENE BRAID)



No		∅	L (m)			€/pcs
<b>38.061P</b>	black	6	100	1	2,6	43,20
<b>38.062P</b>	red	6	100	1	2,6	43,20
<b>38.063P</b>	blue	6	100	1	2,6	43,20
<b>38.064P</b>	green	6	100	1	2,6	43,20
<b>38.065P</b>	white	6	100	1	2,6	43,20
<b>38.081P</b>	black	8	100	1	4,5	48,60
<b>38.082P</b>	red	8	100	1	4,5	48,60
<b>38.083P</b>	blue	8	100	1	4,5	48,60
<b>38.084P</b>	green	8	100	1	4,5	48,60
<b>38.085P</b>	white	8	100	1	4,5	48,60
<b>38.101P</b>	black	10	100	1	7	73,30
<b>38.102P</b>	white	10	100	1	7	73,30
<b>38.121P</b>	black	12	100	1	10	106,40
<b>38.122P</b>	white	12	100	1	10	106,40

## EXPANDOR (HARD, POLYETHYLENE BRAID)



No		∅	L (m)			€/pcs
<b>38.061</b>	black	6	100	1	2,6	55,50
<b>38.062</b>	red	6	100	1	2,6	55,50
<b>38.063</b>	blue	6	100	1	2,6	55,50
<b>38.064</b>	green	6	100	1	2,6	55,50
<b>38.065</b>	white	6	100	1	2,6	55,50
<b>38.066</b>	grey	6	100	1	2,6	48,00
<b>38.081</b>	black	8	100	1	4,5	62,40
<b>38.082</b>	red	8	100	1	4,5	62,40
<b>38.083</b>	blue	8	100	1	4,5	62,40
<b>38.084</b>	green	8	100	1	4,5	62,40
<b>38.085</b>	white	8	100	1	4,5	62,40
<b>38.086</b>	grey	8	100	1	4,5	62,40
<b>38.101</b>	black	10	100	1	8	80,90
<b>38.102</b>	white	10	100	1	8	80,90

## RUBBER TENSIONERS



**NEW**

No		L (mm)			€/100pcs
<b>62.20</b>		200	100	2,0	39,20
<b>62.25</b>		250	100	3,1	49,70
<b>62.40</b>		400	100	5,1	59,00
<b>62.25.T2</b>	T profile	185	100	3,9	1,30
<b>62.30.4</b>	sectional	290	100	3,8	1,40